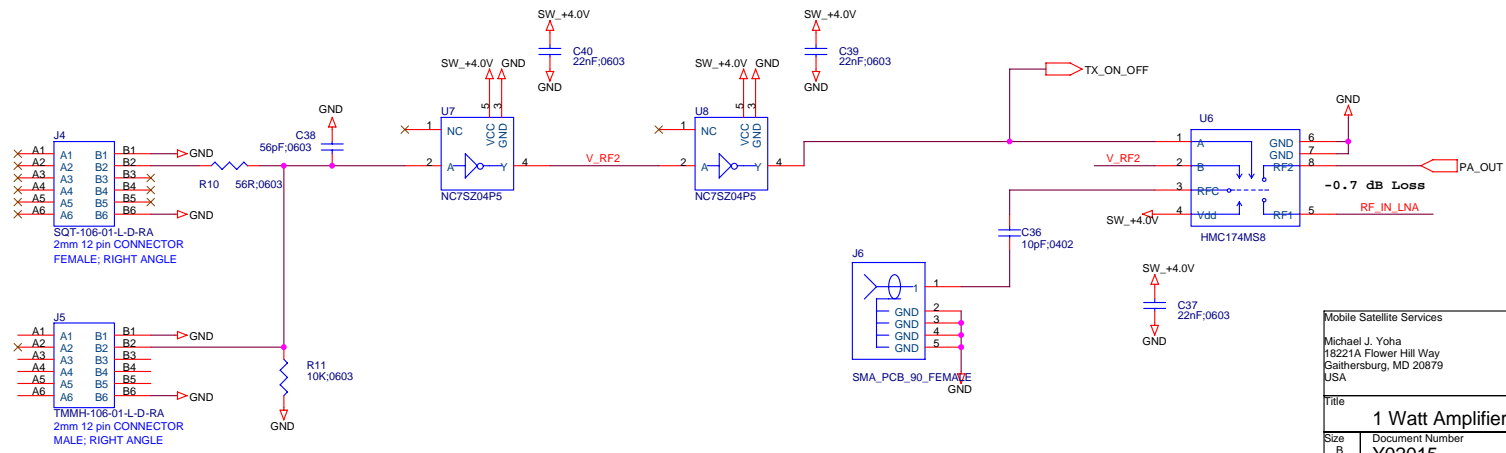
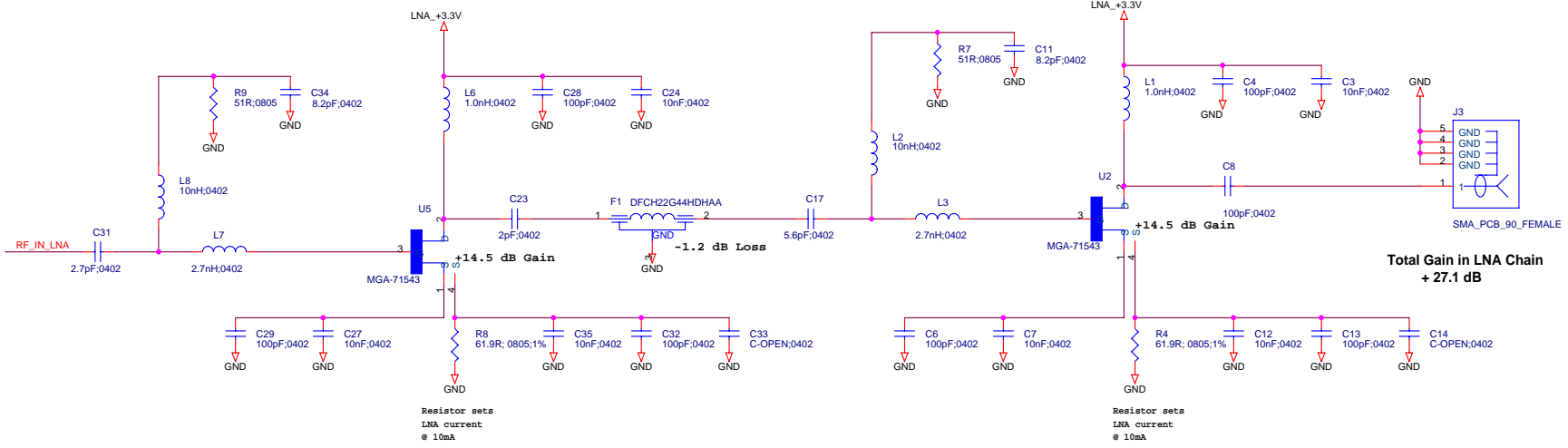


TABLE OF CONTENTS

MAIN..... 1
 LNA..... 2
 PA..... 3
 LAYOUT..... 4
 POWER..... 5

Mobile Satellite Services		
Michael J. Yoha 18221A Flower Hill Way Gaithersburg, MD 20879 USA		
Title		
1 Watt Amplifier / MAIN		
Size	Document Number	Rev
B	Y02015	1
Date:	Wednesday, May 26, 2004	Sheet 1 of 5

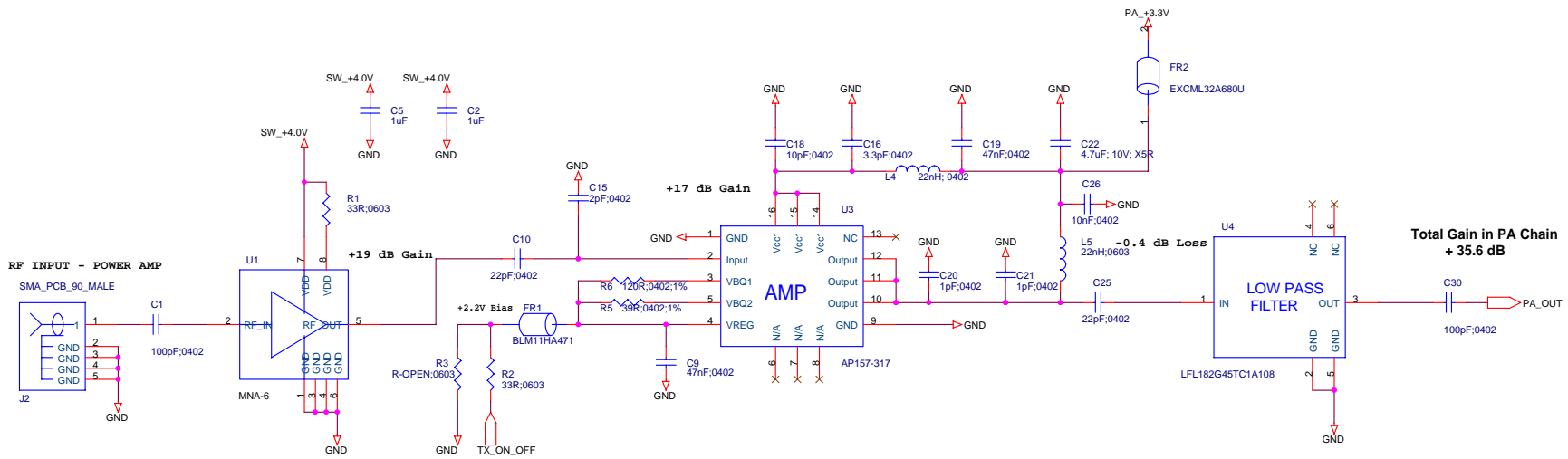


Mobile Satellite Services
 Michael J. Yoha
 18221A Flower Hill Way
 Gaithersburg, MD 20879
 USA

Title
1 Watt Amplifier / LNA

Size B Document Number Y02015 Rev 1

Date: Wednesday, May 26, 2004 Sheet 2 of 5



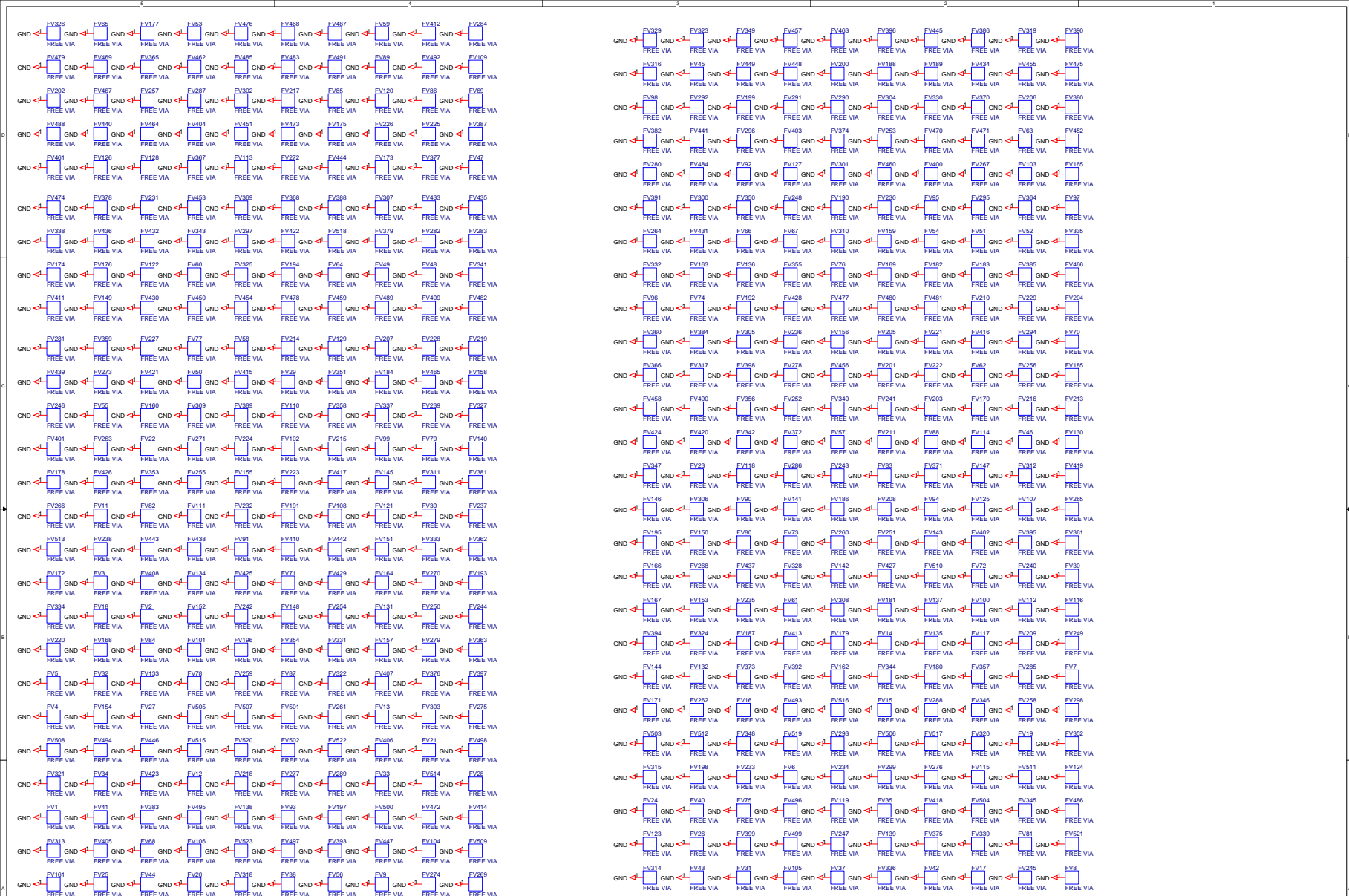
Mobile Satellite Services

Michael J. Yoha
 18221A Flower Hill Way
 Gaithersburg, MD 20879
 USA

Title
1 Watt Amplifier / PA

Size B	Document Number Y02015	Rev 1
-----------	----------------------------------	----------

Date: Wednesday, May 26, 2004 Sheet 3 of 5



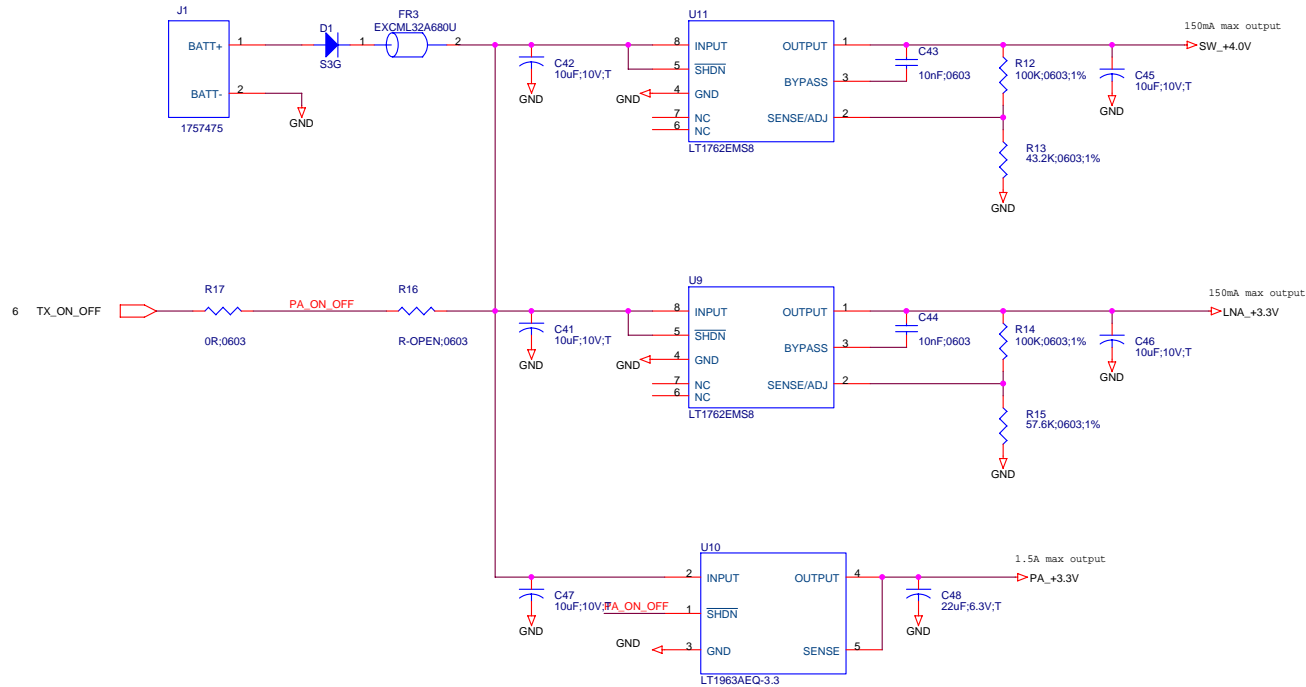
Mobile Satellite Services
 Michael J. Yoha
 18221A Flower Hill Way
 Gaithersburg, MD 20878
 USA

File
1 Watt Amplifier/ LAYOUT

Size C Document Number
Y02015

Date: Wednesday, May 26, 2004 Sheet 4 of 5 Rev 1

+5 V Supply



Mobile Satellite Services		
Michael J. Yoha 18221A Flower Hill Way Gaithersburg, MD 20879 USA		
Title		
1 Watt Amplifier / POWER		
Size	Document Number	Rev
B	Y02015	1
Date:	Wednesday, May 26, 2004	Sheet 5 of 5