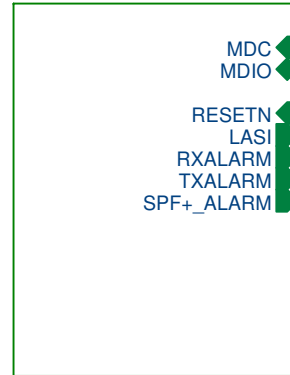
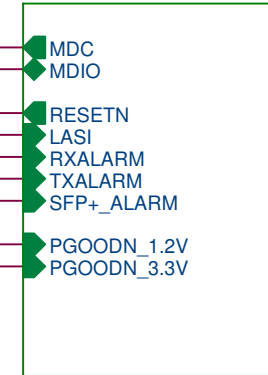


CONTROL

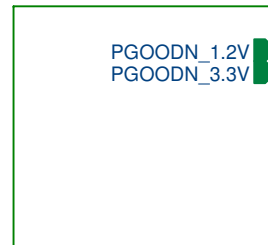


EDGE CONNECTOR



CONTROL

POWER



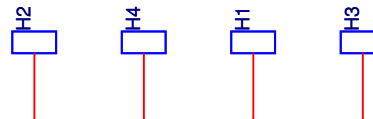
EDGE CONNECTOR

POWER

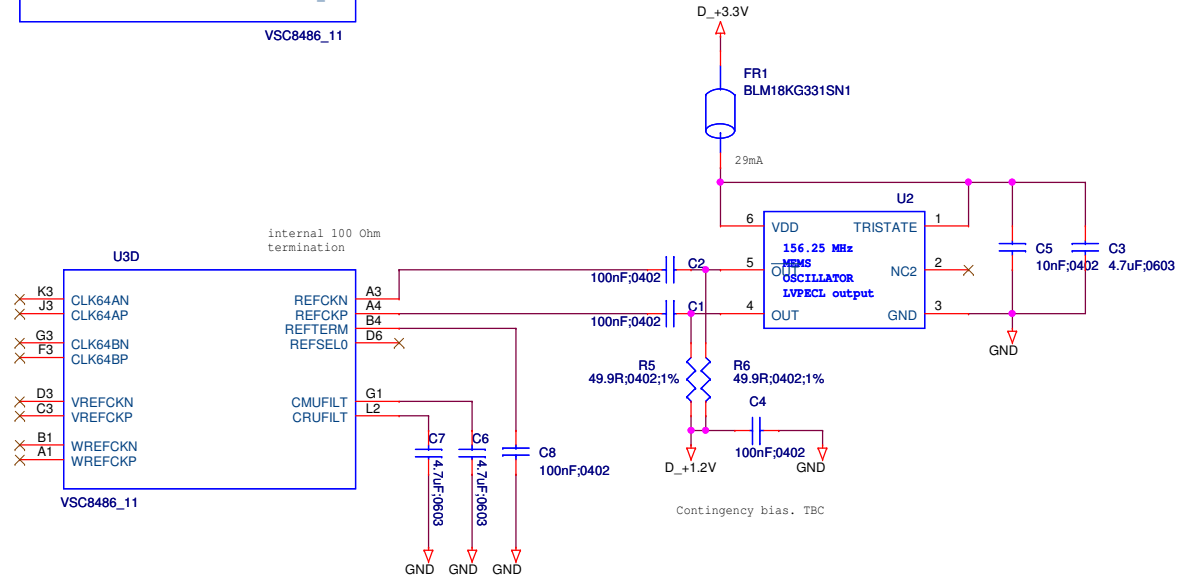
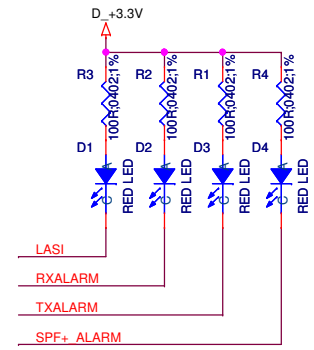
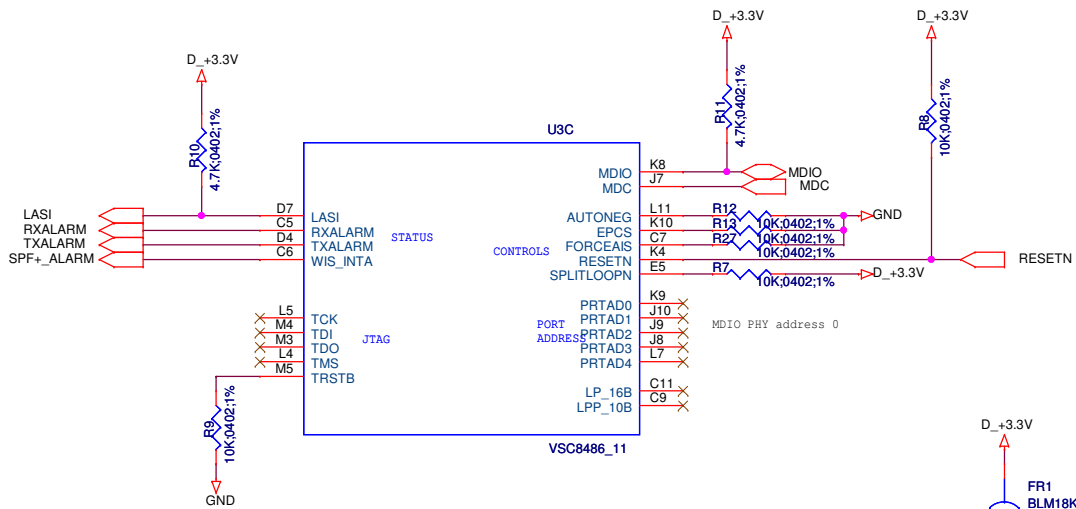
SPF



SFP



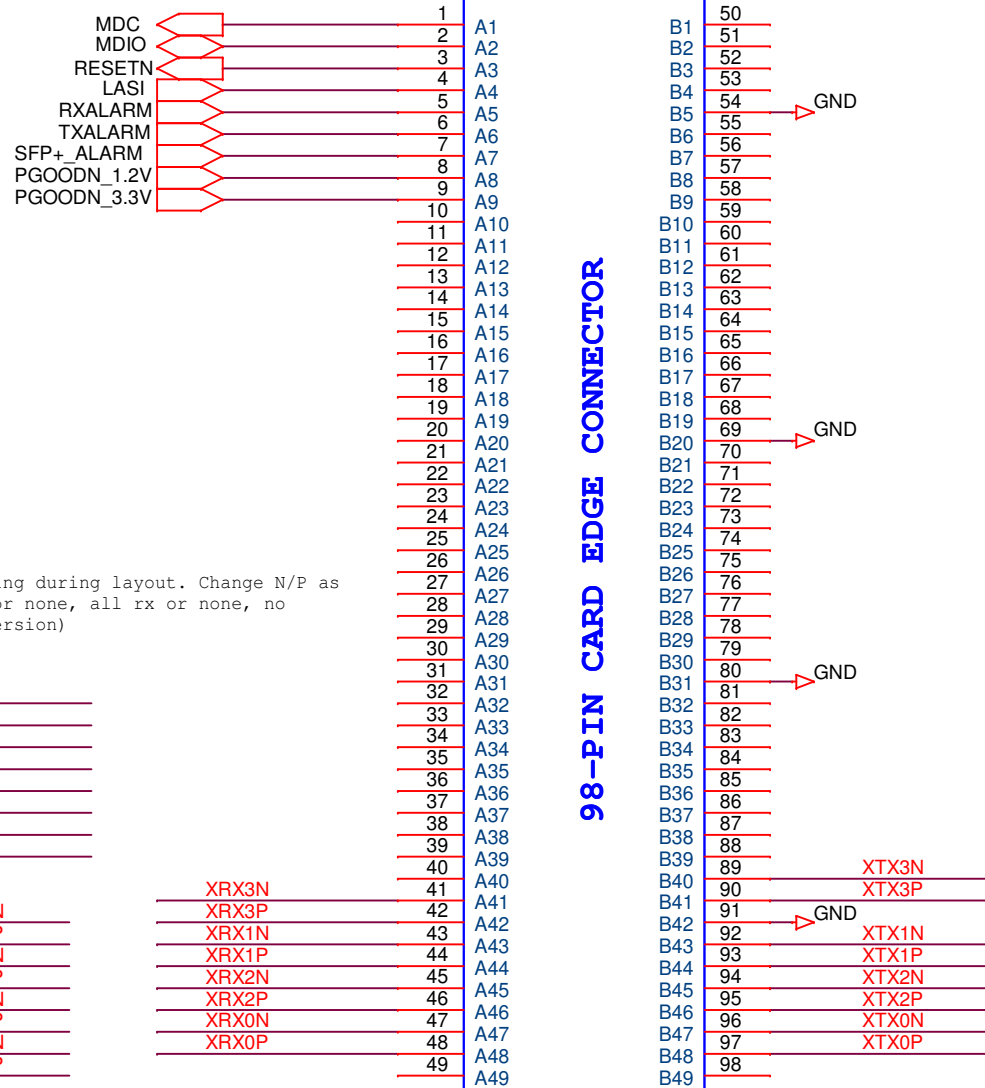
AZ+MS		
Mobile Satellite Services 18221A Flower Hill Way Gaithersburg, MD 20879 USA		
Title COM-5104 / 10GbE LAN		
Size Custom	Document Number Y14004	Rev 0
Date:	Monday, January 05, 2015	Sheet 1 of 5



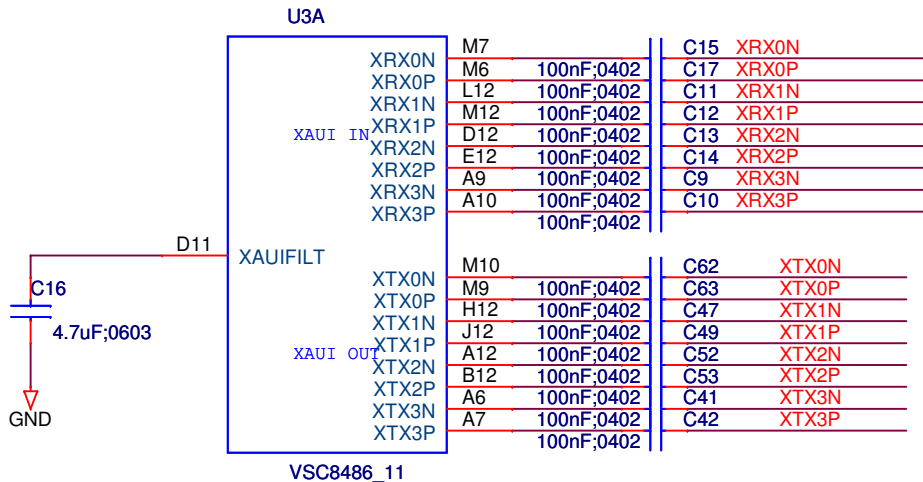
AZ+MS		
Mobile Satellite Services 18221A Flower Hill Way Gaithersburg, MD 20879 USA		
Title COM-5104 / CONTROL SIGNALS		
Size B	Document Number Y14004	Rev 0
Date: Tuesday, January 06, 2015	Sheet 2	of 5

PCB TOP SIDE

PCB BOTTOM SIDE



avoid N/P crossing during layout. Change N/P as needed (all tx or none, all rx or none, no individual inversion)



AZ+MS		
Mobile Satellite Services 18221A Flower Hill Way Gaithersburg, MD 20879 USA		
Title COM-5104 / EDGE CONNECTOR		
Size A	Document Number Y14004	Rev 0
Date:	Tuesday, January 06, 2015	Sheet 3 of 5

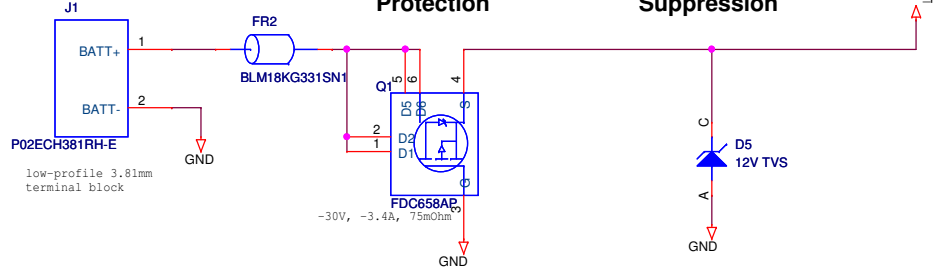
+5V DC Supply

OPERATIONAL RANGE: 4.5 - 12V
No damage: 20V max

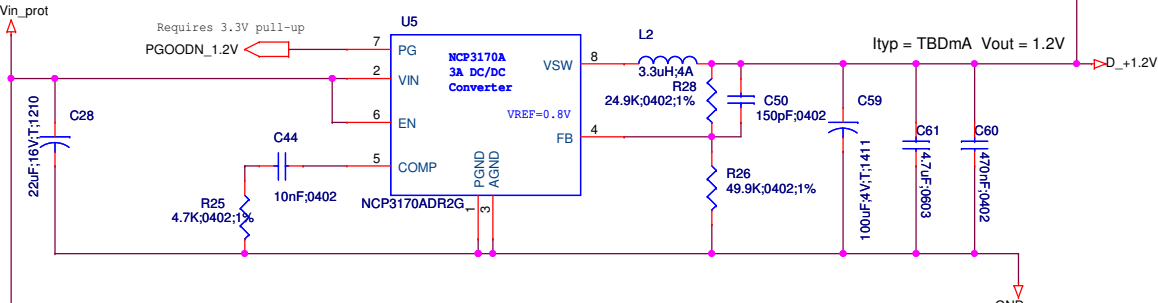
Filter

Reverse Voltage Protection

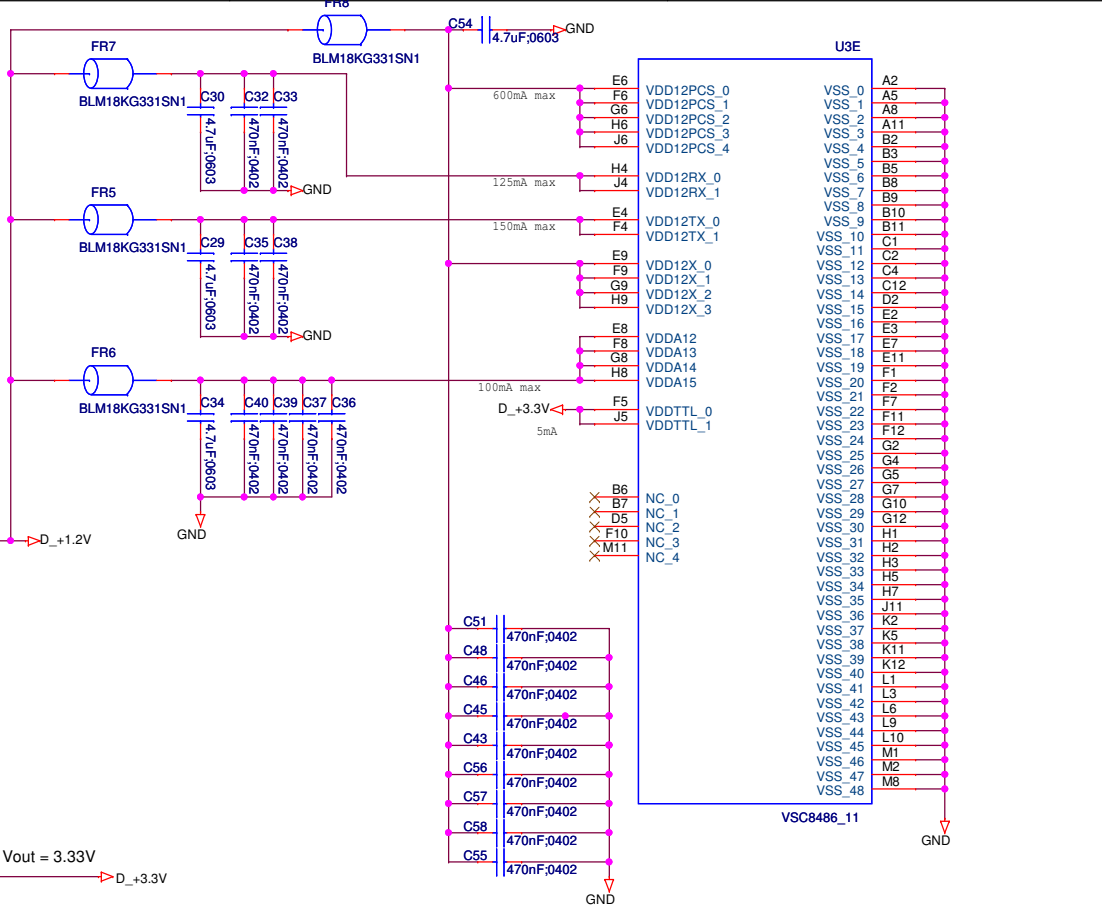
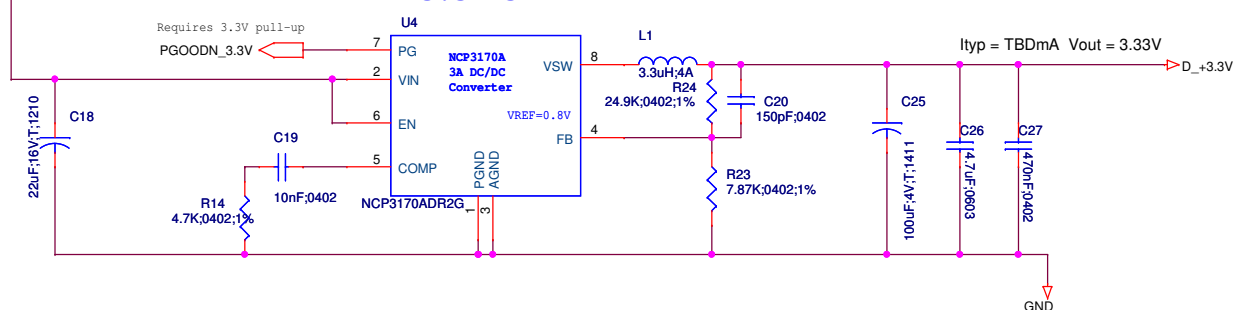
Transient Voltage Suppression



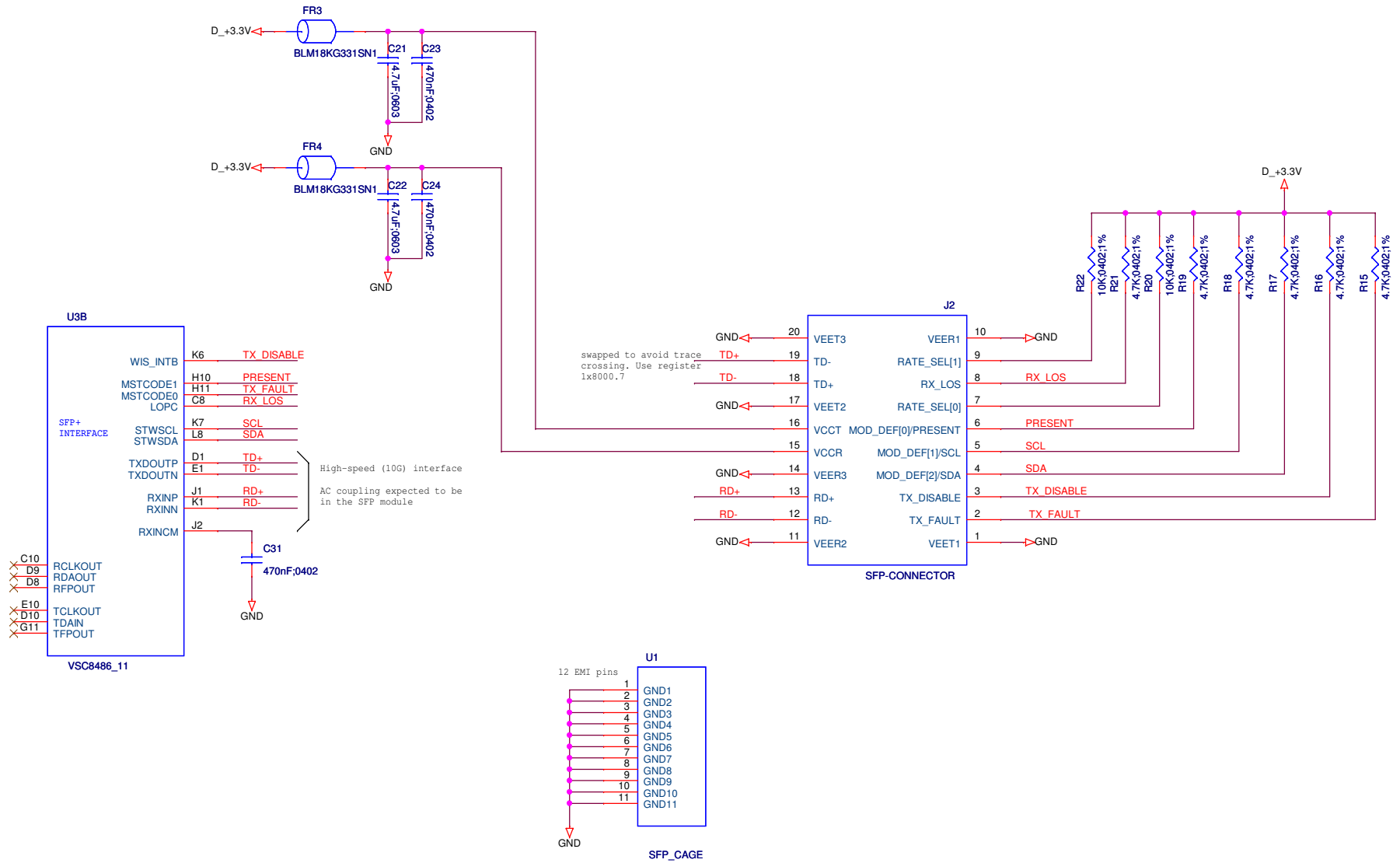
1.2V 3A



3.3V 3A



AZ		
Mobile Satellite Services 18221A Flower Hill Way Gaithersburg, MD 20879 USA		
Title COM-5104 / SFP + CONNECTOR		
Size B	Document Number Y14004	Rev 0
Date: Tuesday, January 06, 2015	Sheet 4	of 5



AZ+MS		
Mobile Satellite Services 18221A Flower Hill Way Gaithersburg, MD 20879 USA		
Title COM-5104 / SFP + CONNECTOR		
Size B	Document Number Y14004	Rev 0
Date: Tuesday, January 06, 2015	Sheet 5	of 5