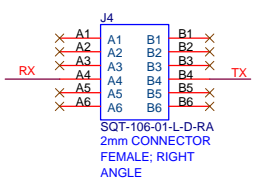
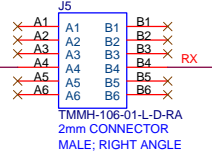
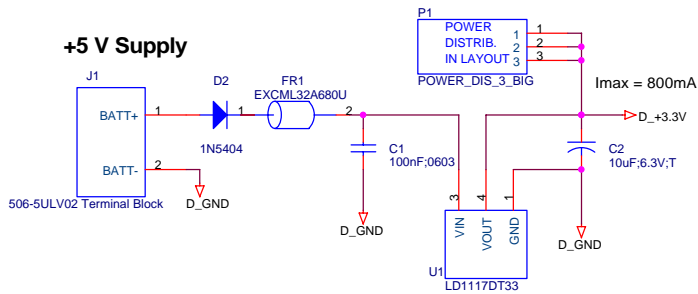
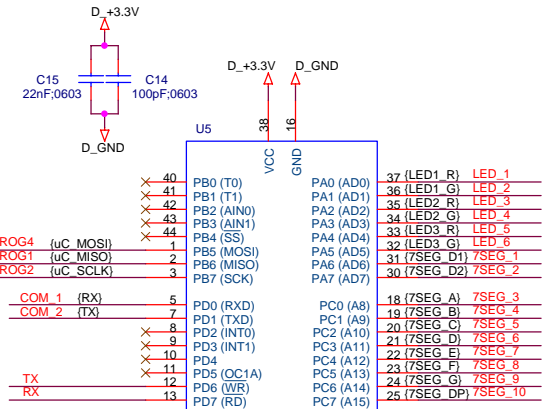
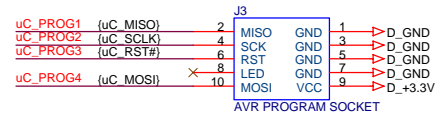


+5 V Supply

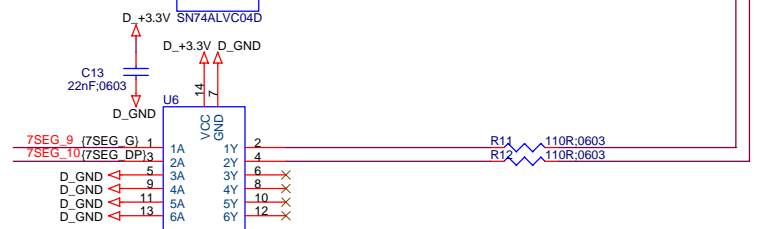
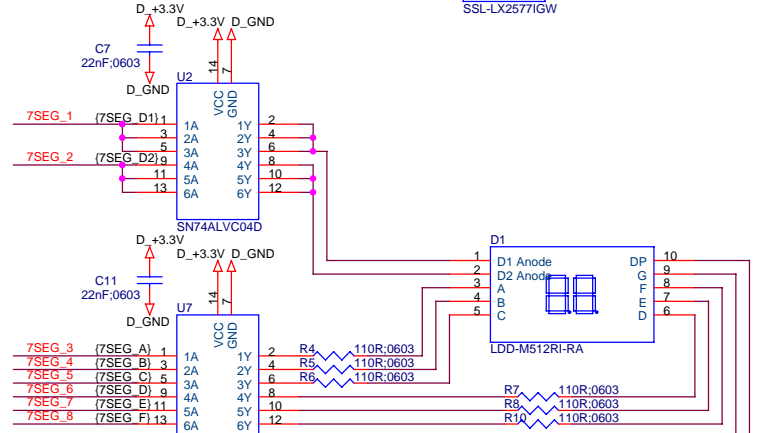
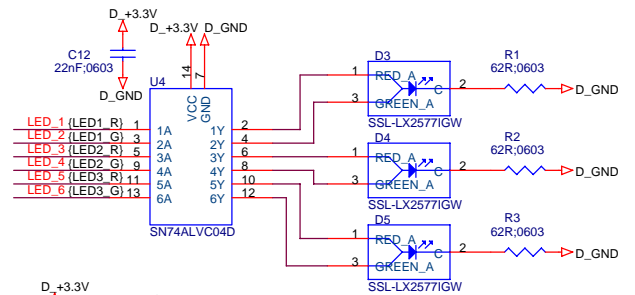
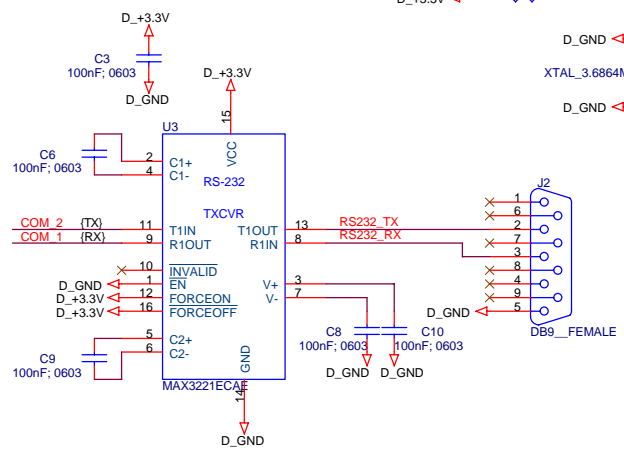
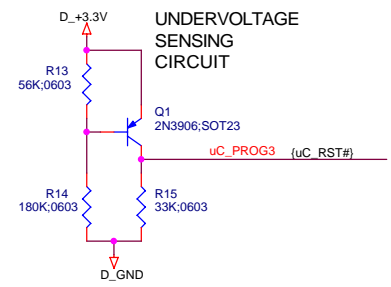


IN CIRCUIT PROGRAMMING HEADER



8 Bit uC

UNDERVOLTAGE SENSING CIRCUIT



Mobile Satellite Services
 Christian K. Föhr
 H8221A Flower Hill Way
 Gaithersburg, MD 20879
 USA

Title: **ComBlock 6001 / DISPLAY**

Size B Document Number: **Y02009** Rev 0

Date: Friday, April 12, 2002 Sheet 1 of 1